

# SUBBASS SLAMMER™

## CTYE01BK10U

Enclosure Volume: .75 Cubic Foot

### READ ALL DIRECTIONS CAREFULLY BEFORE BEGINNING

**MOUNTING LOCATION:** The enclosure mounts behind rear quarter panel, under rear window, on drivers' side of cargo area. Side firing in the Tahoe, Yukon and Escalade SUV's.

### TOOLS FOR INSTALLATION:

Powered Screwdriver

#2 Phillips Head Bit

6" Bit Holder Extension

Socket Wrench

10mm Socket

Felt Tip Pen

7mm Socket

Cutting Tool (grill installation)

**INSTALLATION:** Follow the steps below

1. Place gasket provided around woofer hole cutout. Connect black wire to the negative side of woofer and red to the positive side. Using screws provided install woofer into enclosure, making sure not to overtighten screw to avoid stripping.

2. Slide front seats to full forward position and fold down rear seat.

3. Remove the upper and lower plastic trim in cargo area. Pull with slow, steady pressure to release the clips that hold the trim into place.



4. Carefully un-clip the rear, upper left speaker location and unplug the speaker.



5. Remove the 7mm bolt inside the cargo cover mount, unscrew cargo net hanger and round panel clip. Pull away rear quarter panel and set aside. If your vehicle has a factory installed subwoofer in this location, it must be removed. To do this, unplug the speaker wire harness and remove the two 10mm bolts to lift the enclosure out.



6. Remove the two 10mm bolts that hold Jack mounting bracket to the floor. Remove Jack and tools and place them aside, they will be reinstalled in step 15.

7. With the power screw driver and Phillips head bit, mount the included hardware on your new subwoofer enclosure as shown below.



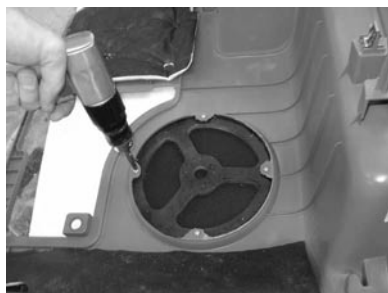
8. Make speaker connections to the enclosure from the amp. Route wire along factory wire harness. Connect speaker wires from amplifier to enclosure, positive to red terminal and negative to black terminal.

9. With the included hardware, secure enclosure into place under rear window, over wheel well.

*As always, before screwing or drilling check to make sure you will not damage any wires, hoses or cause damage to the vehicle.*

10. To install the grill, use the included template to trace onto the panel. Carefully cut out plastic leaving grill mounting tabs in place. Secure the grill from the back side of panel with included screws. To avoid damage to panel or grill, do not over tighten screws.

*Before cutting, equip yourself with proper hand and face protection*



11. Once the enclosure is mounted and the grill is in place, reinstall all panels and trim reverse of removal.

12. Screw down the jack bracket and secure jack in rear storage compartment. Use the included mounting strap to secure jack tools under rear drivers' side seat.

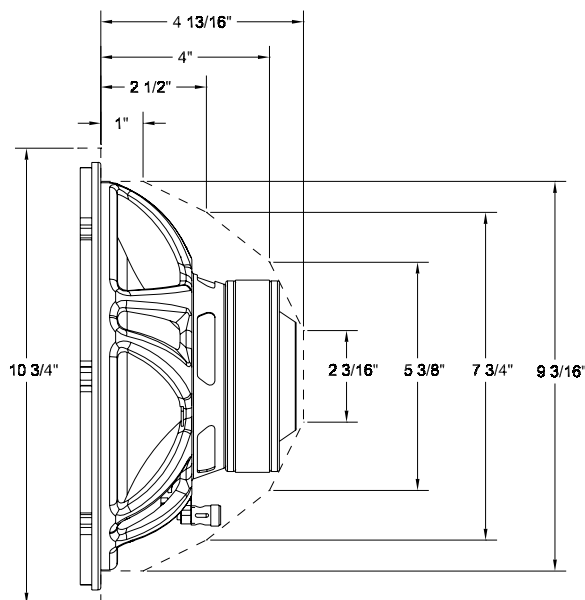


### FACTORY SPEAKER WIRE COLORS

At the factory installed subwoofer, locate the four speaker wires wrapped in black tape. Wire colors for the left speakers are: **Brown (positive) and Yellow (negative)**. Right speaker wire colors are: **Dark Blue (positive) and Light Blue (negative)**.

*Although every effort has been made to assure proper wiring color, Mitek is not responsible for any changes made by the vehicle manufacturer which sometime occur. If wiring colors do not match then physical verification is required. These instructions are guidelines only and in no way are intended to replace a professional installation. As always before screwing and drilling check to make sure you will not damage wires, hoses or cause damage to the vehicle.*

### MAXIMUM ENCLOSURE MOUNTING SPECIFICATIONS



**MAXIMIZE YOUR SYSTEM'S PERFORMANCE** [streetwires.com](http://streetwires.com) **STREETWIRES®**