



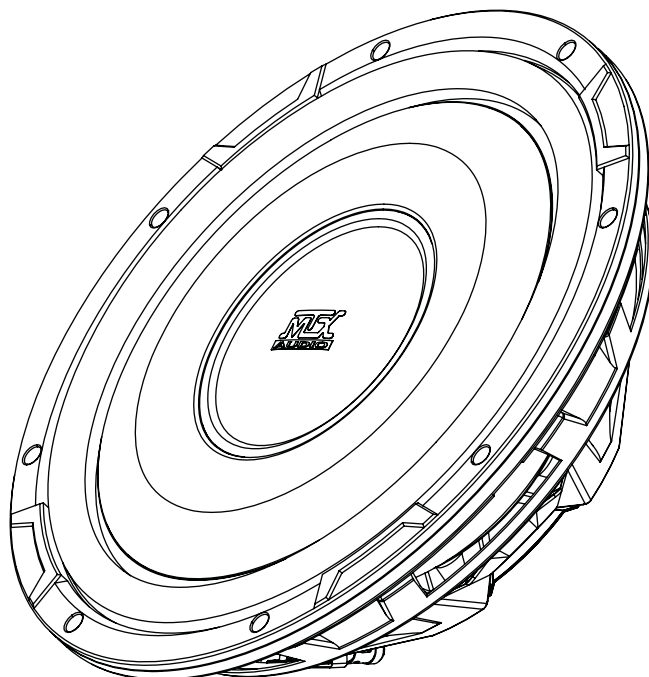
THUNDER[®]

FPR12-02

Parameters

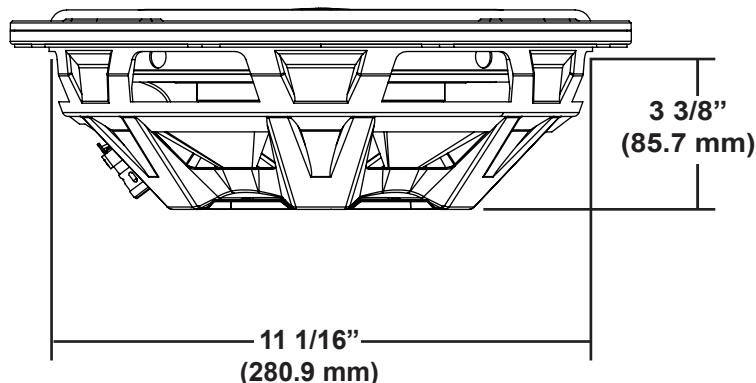
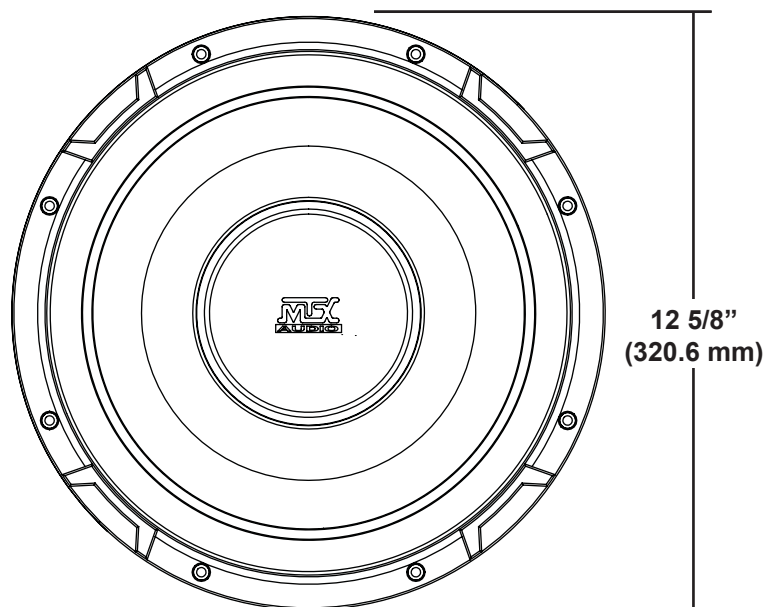
Los parámetros, Paramètres, Parameter

Fs: 29.4 Hz
Qms: 5.450
Cms: .0105mm/N
Mms: 279.17 g
Rms: 9.590 kg/s
Vas: 1.542 ft³ (43.67 liters)
Xmax: 0.511 in (13 mm)
D: 10.35 in (263 mm)
Sd: 84.21 in² (543.3 cm²)
Vd: 43.03 in³ (0.7051 liters)
Qes: 0.900
Re: 1.75 Ω
Bl: 10.00 Tm
Prms: 400 Watts
Qts: 0.77
η_o: 0.114%
SPL_o: 83 dB
SPL 2.83V/1m: 89.3 dB



Specifications

Las especificaciones, Specifications, Spezifikationen



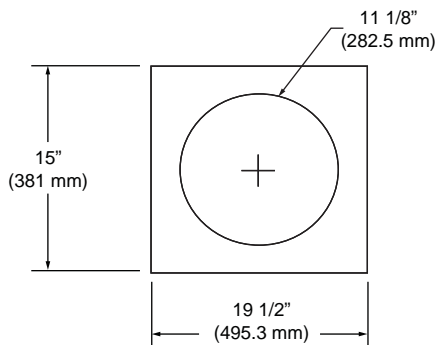
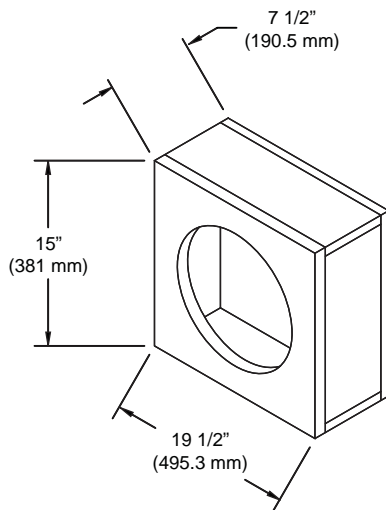
Recommended Power Rating of 200 - 400 Watts RMS

La Potencia nominal recomendada, Le Pouvoir recommandé Evaluant, Empfohlene Kraft Einzuschätze

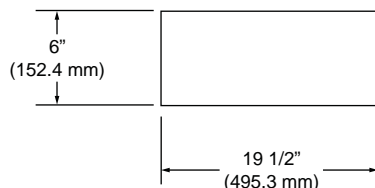
Sealed Enclosure

El Cerco sellado, Cloture scellée, Abgedichtete Einschließung

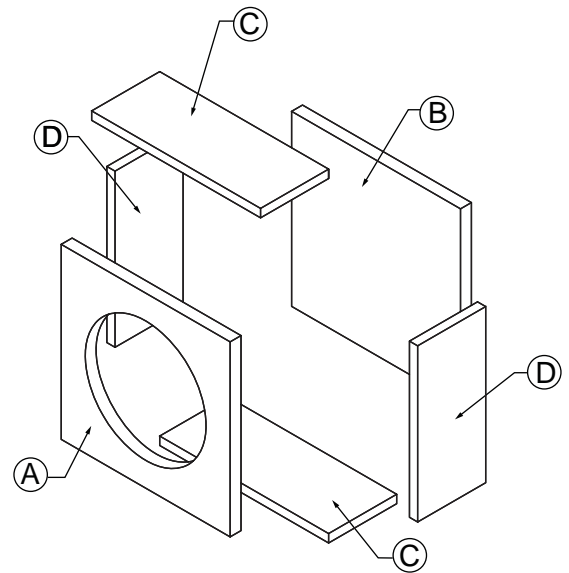
MTX Thunder Flat Piston subwoofers are designed to achieve the best possible where space is a premium. MTX FPR subwoofers are optimized to perform best in a sealed enclosure, no matter what type of music you listen to. This recommended enclosure design was designed and tested by the MTX engineering team to ensure that you are able to Feel the Thunder.



[A] - 3/4" (19 mm) MDF



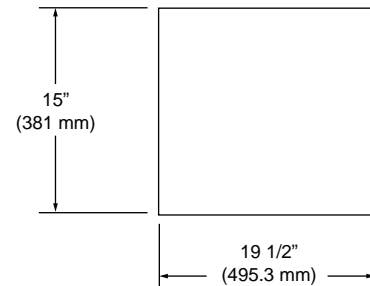
[C] - 3/4" (19 mm) MDF



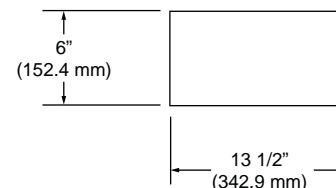
Net Internal Volume: 0.84 ft³
Recommended Box Volume: 0.75 - 0.95 ft³

Parts List

La Lisat de partes, Liste de parties, Ersatzteilliste



[B] - 3/4" (19 mm) MDF



[D] - 3/4" (19 mm) MDF

MTX products purchased in the USA from an authorized MTX dealer are guaranteed against defects in material and workmanship for a period of 1 year, the warranty period begins the day the product is purchased by the end user. This warranty is limited to the original retail purchaser of the product. Product found to be defective during that period will be repaired or replaced by MTX at no charge. This warranty is void if it is determined that unauthorized parties have attempted repairs or alterations of any nature. Warranty does not extend to cosmetics or finish. Before presuming a defect is present in the product, be certain that all related equipment and wiring is functioning properly. MTX disclaims any liability for other incurred damages resulting from product defects. Any expense in the removal or reinstallation of products are not covered by this warranty. MTX's total liability will not exceed the purchase price of the product. If a defects is present, your authorized MTX dealer may be able to effect repairs.

Proof of purchase is required when requesting service, so please retain your sales receipt, and take a moment to register your product on line at MTX.com. Also, a Return Authorization number (RA) is required before shipping product back to MTX, call 1-800-556-2888 or 1-608-328-5560 for speaker RA's.